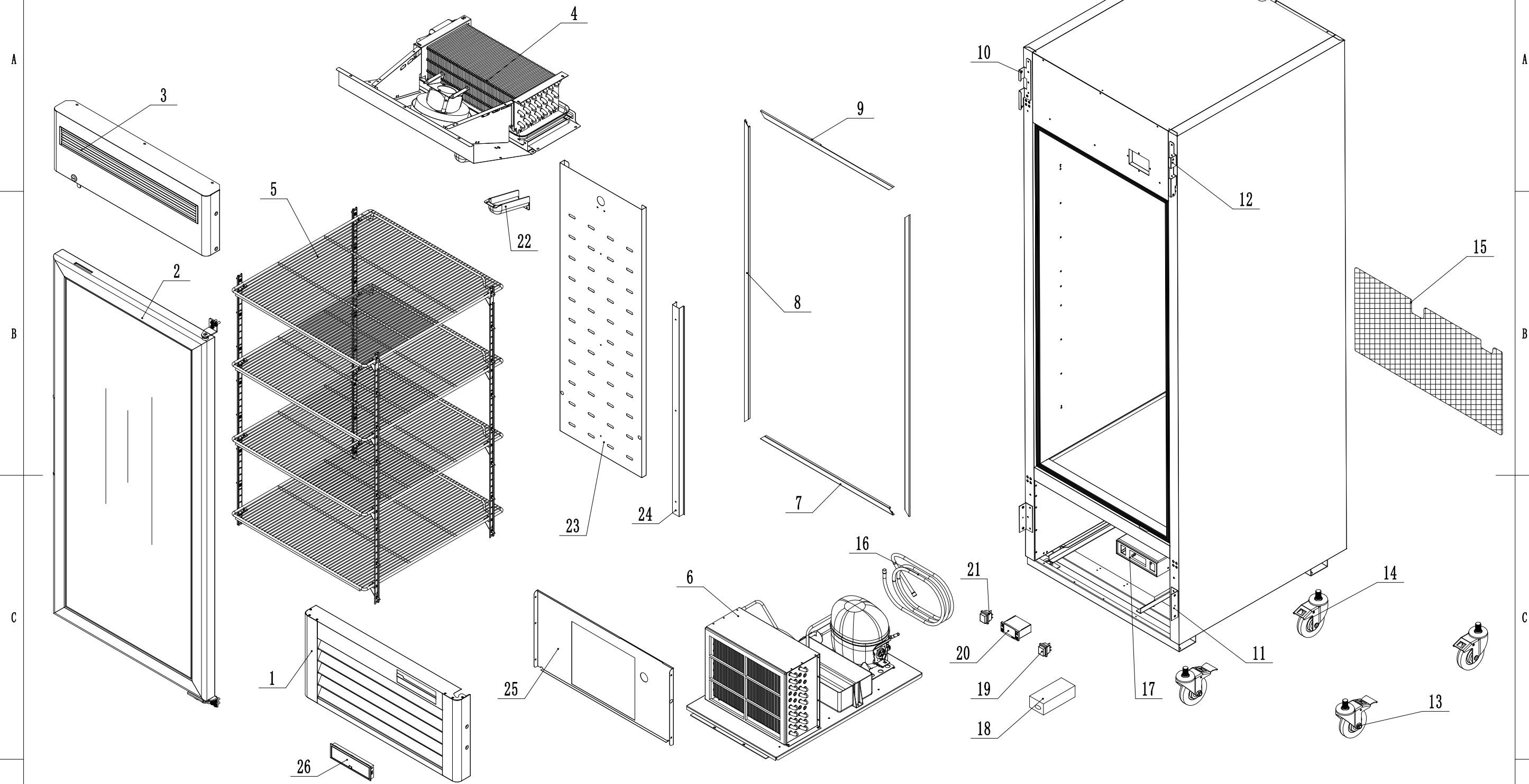


2022.3



26	W0409882	Controller Cover	翻盖组件		1	17	W04098832	Controller Braket	温控支架		1	8	W0410446	Left-Right Frame Cover	箱体接口盖(左)(右)	2			
25	85011901	Wind deflector unit	机组挡风板	GI	1	16	W0210535	Low Presure Coil Back to Comp	回气管(B)		1	7	W0410456	Bottom Frame Cover	箱体接口盖(下)	1			
24	80011041	Back wind deflector stents	后背导风板支架		1	15	W0402273	Back Bottom Barriar	保护网		1	6	8705GR-CCA-2	Comp&Cond Assembly	冷凝机组	1			
23	80011042-430	Back wind deflector	后背导风板		1	14	B0604413	4" Castor Without Brake	4吋重磅万向轮(脚轮)		2	5	8701GR-SA-2	Shelf Assembly	食品架组件	1			
22	W0409081	A drain protection	排水管保护件	ABS	1	13	B0604421	4" Castor With Brake	4吋带刹车重磅万向轮[刹定向]		2	4	8705GR-EA-2	Evaporator Assembly	蒸发机组	1			
21	W0308018	Light Switch	LED灯开关	(RED)	1	12	85041609	Right Fastener For Top Panel	前罩板(右)(上)固定件		1	3	8501GR-MTPA	Top Panel Assembly	上前罩组件	1			
20	W0302168	Digital Controller	冷藏温控器		1	11	85041801	Fastener For Bottom Panel	下罩板固定件		2	2	8705-DA	Door Assembly	门体组件	1			
19	W0308019	Power Switch	电源开关	(GREEN)	1	10	85041610	Left Fastener For Top Panel	前罩板(左)(上)固定件		1	1	85010420	Bottom Panel	下罩板	1			
18	W0399116	LED Power	LED灯电源	36W	1	9	W0410455	Top Frame Cover	箱体接口盖(上)		1		序号	Material code	English Name	Chinese Name	MATERIAL	QUANTITY	Remark

1

2

3

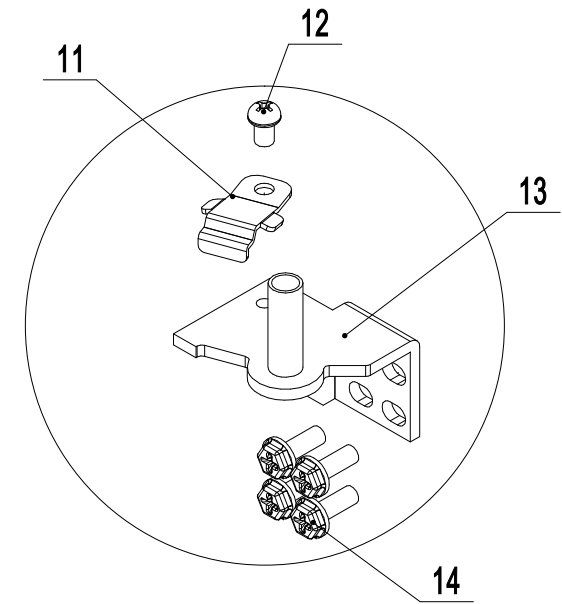
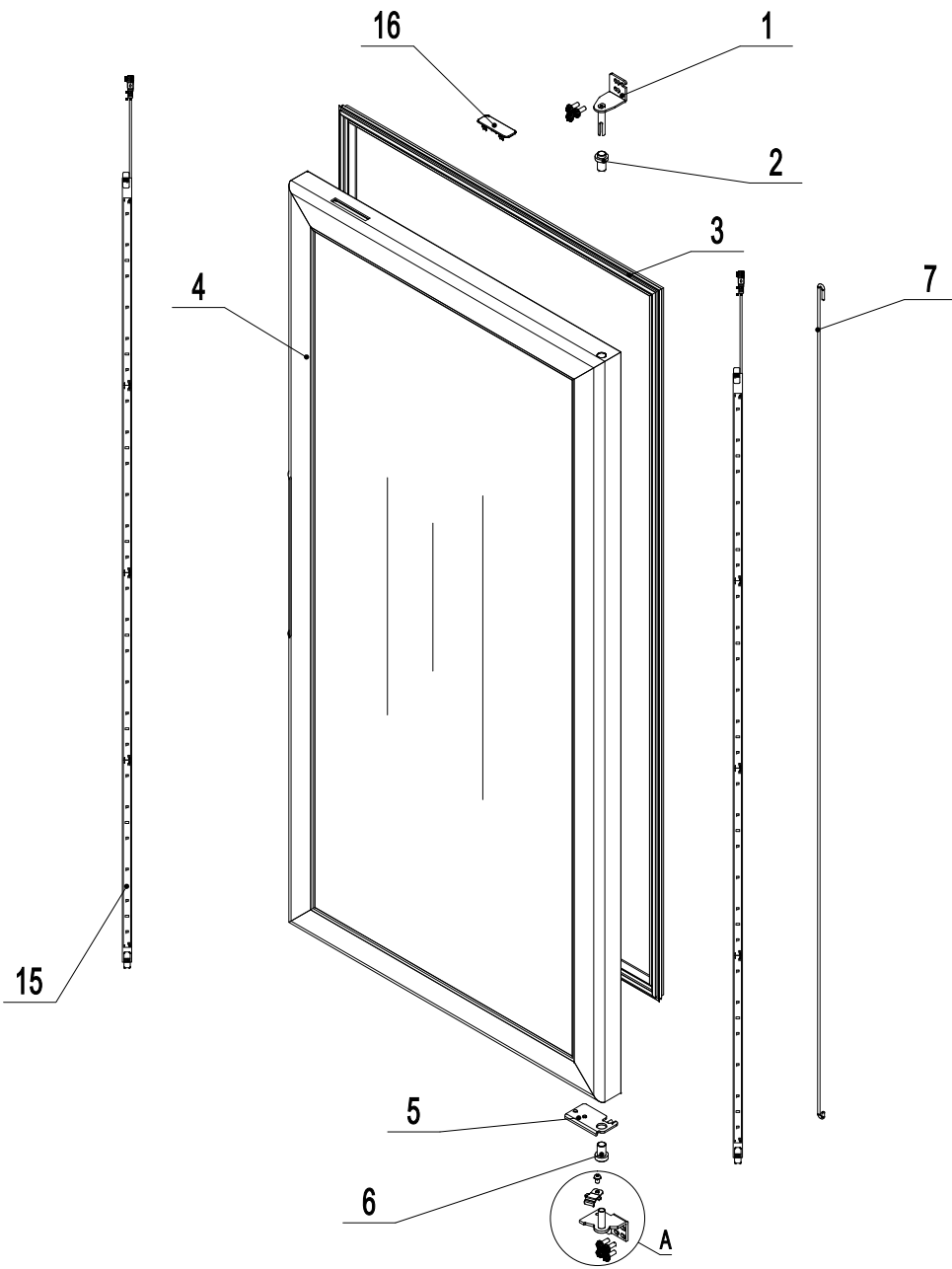
4

5

6

8705-DA

2020. 5. 12

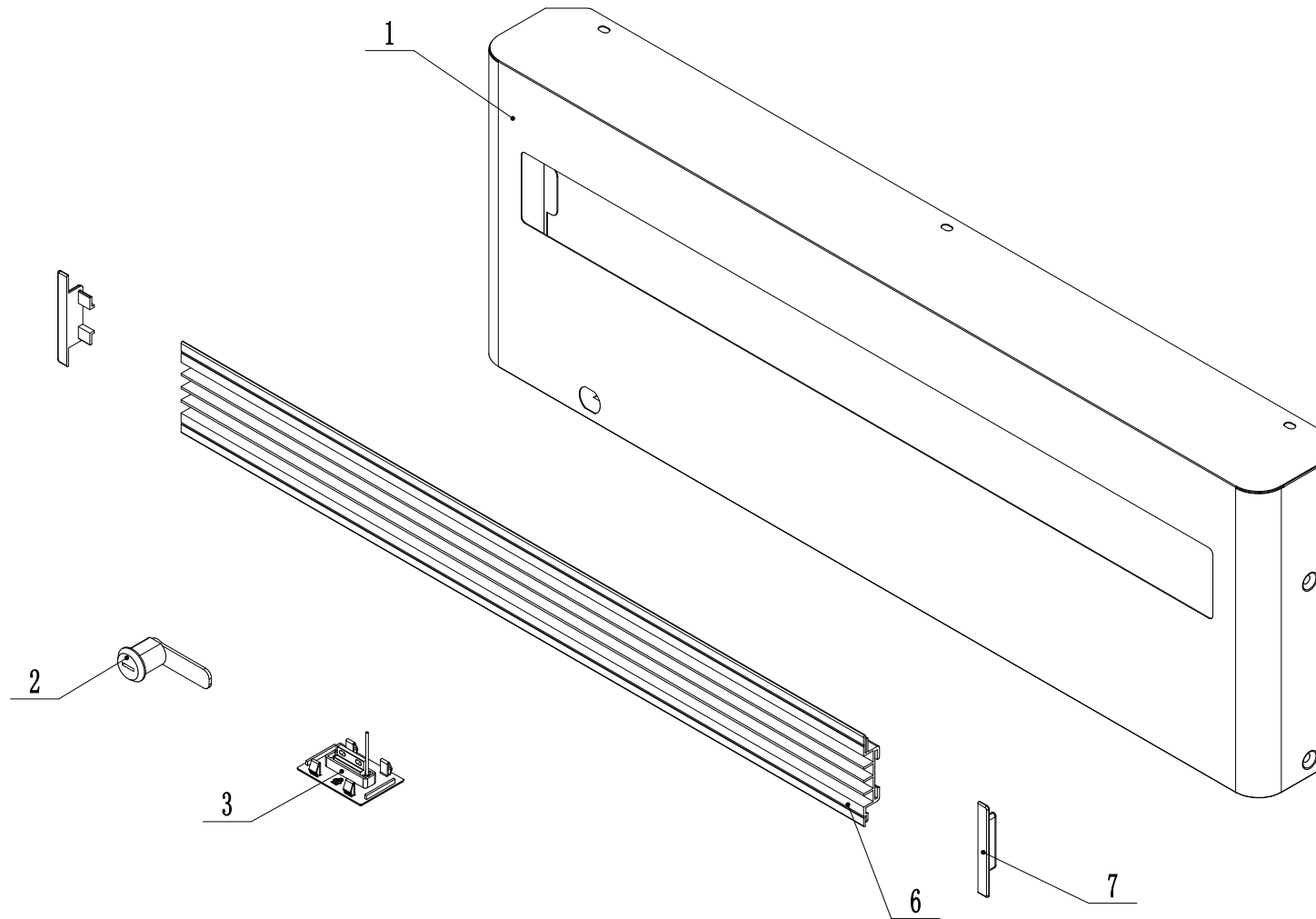


局部放大图A

16	W0409163	Showcase Magnetic Steel	陈列柜磁钢组件		1	
15	W0304081	LED Light	LED灯条		2	
14	B0506077	Screw M6x16	M6x16十字槽六角头螺栓		7	
13	W0604024	Right-Bottom Hinge	右下铰链	SUS304	1	
12	B0507015	Screw M6x8	M6x8		1	
11	W0604038	Door Brake-Bottom	门自锁装置-下	SUS304	1	
7	W0604933	Door Spring Bar	门体发条		1	
6	W0409843	Door Shaft Sleeve-Bottom	门体轴套	PA66	1	
5	W0604030	Door Brake -Right	门自锁装置-右	SUS304	1	
4	W0412810	Right Glass Door	右玻璃门体		1	
3	W0404579	Door Gasket	门封条		1	
2	W0409842	Door Shaft Sleeve-Top	门体轴套	PA66	1	
1	W0604022	Right-Top Hinge	右上铰链	SUS304	1	
序号	Material code	English Name	Chinese Name	MATERIAL	QUANTITY	Remark

8501GR-MTPA

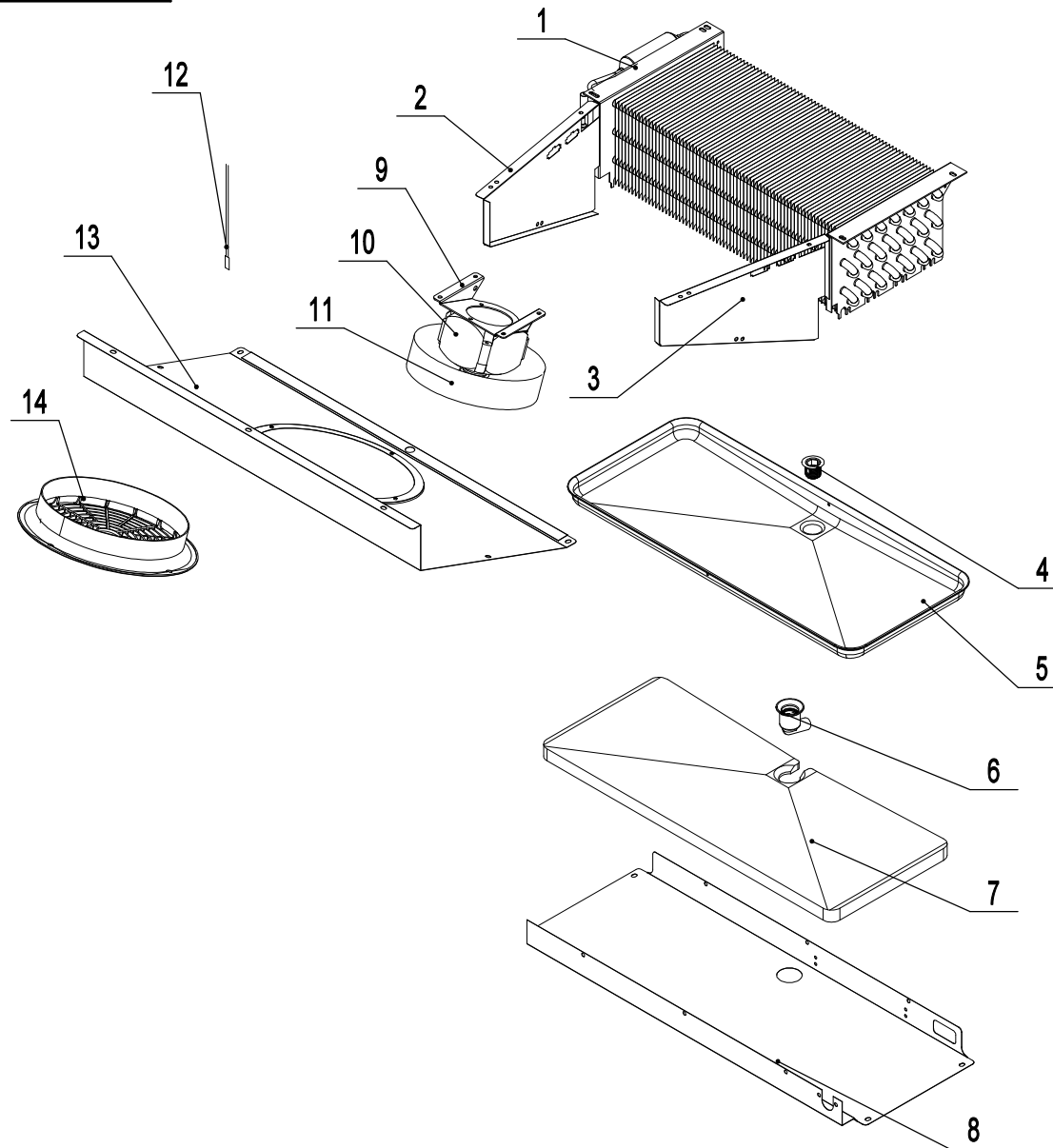
2020.6.5



7	W0409272	Black Grille Clip	前罩板饰条端板	ABS	2	
6	W0410351	Black Grille	前罩板饰条	PVC	1	
3	W0409161	Gate Magnetic Switch	门磁开关组件		1	
2	W0604007	Lock	冰箱锁		1	
1	85011425-430	Top Panel	上前罩板	SUS430	1	
序号	Material code	English Name	Chinese Name	MATERIAL	QUANTITY	Remark

8705GR-EA-2

2022



14	W0409080	Evap Fan Motor Cover	蒸发风机罩		1	
13	87011202-430	Evap Front Cover	蒸发前盖板	SUS430	1	
12	W0302316	Room Temp Probe	感温探头		1	
11	W0301078-01	Evap Fan Blade	蒸发风叶		1	
10	W0301912-01	Evap Fan Motor	蒸发风机		1	
9	80021501	Evap Fan Bracket	蒸发风机支架		1	
8	85011205	Drain Pan Cover	蒸发后盖板	SUS430	1	
7	W0803011	Drain Pan Foam	接水盘泡沫		1	
6	W0409858	Drain Hose Connector A	排水管连接器A		1	
5	80012001	Drain Pan	铝制接水盘		1	
4	W0409859	Drain Hose Connector B	排水管连接器B		1	
3	80021204	Evap Right Cover	蒸发空气右挡板		1	
2	80021203	Evap Left Cover	蒸发空气左挡板		1	
1	W0202117	Evaporator	蒸发器		1	
序号	Material code	English Name	Chinese Name	MATERIAL	QUANTITY	Remark

8701GR-SA-2

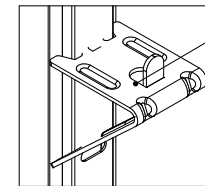
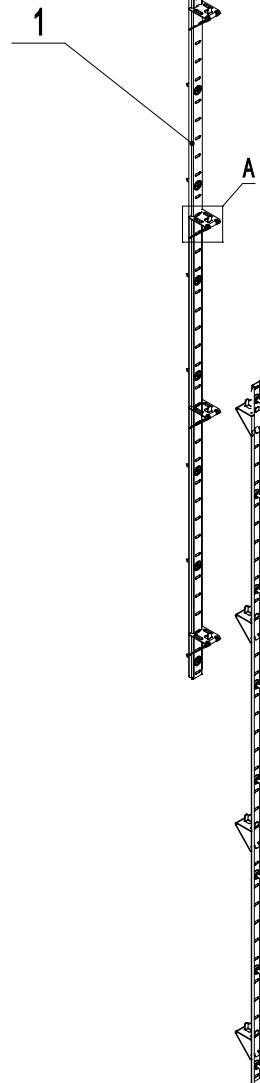
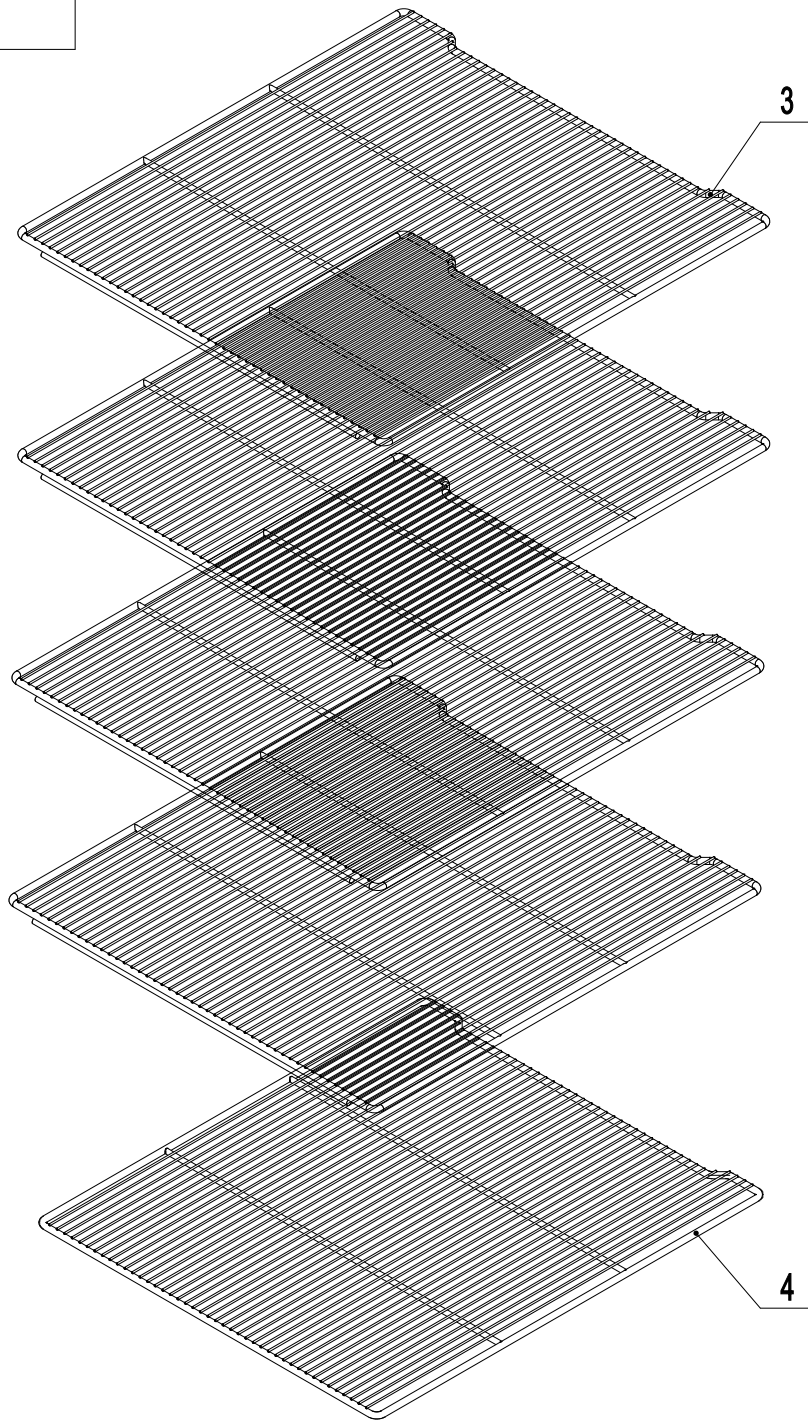
2020. 7. 29

A

B

C

D



局部放大图A

2

A

1

4	W0402393	Bottom Shelf	食品架		1	
3	W0402394	Shelf	食品架		4	
2	66490313	Shelf Clip	食品架搁脚	SUS430	16	
1	80037410	Pilastor For Shelf	食品架隔条	SUS430	4	
序号	Material code	English Name	Chinese Name	MATERIAL	QUANTITY	Remark

1

2

3

4

5

6

A

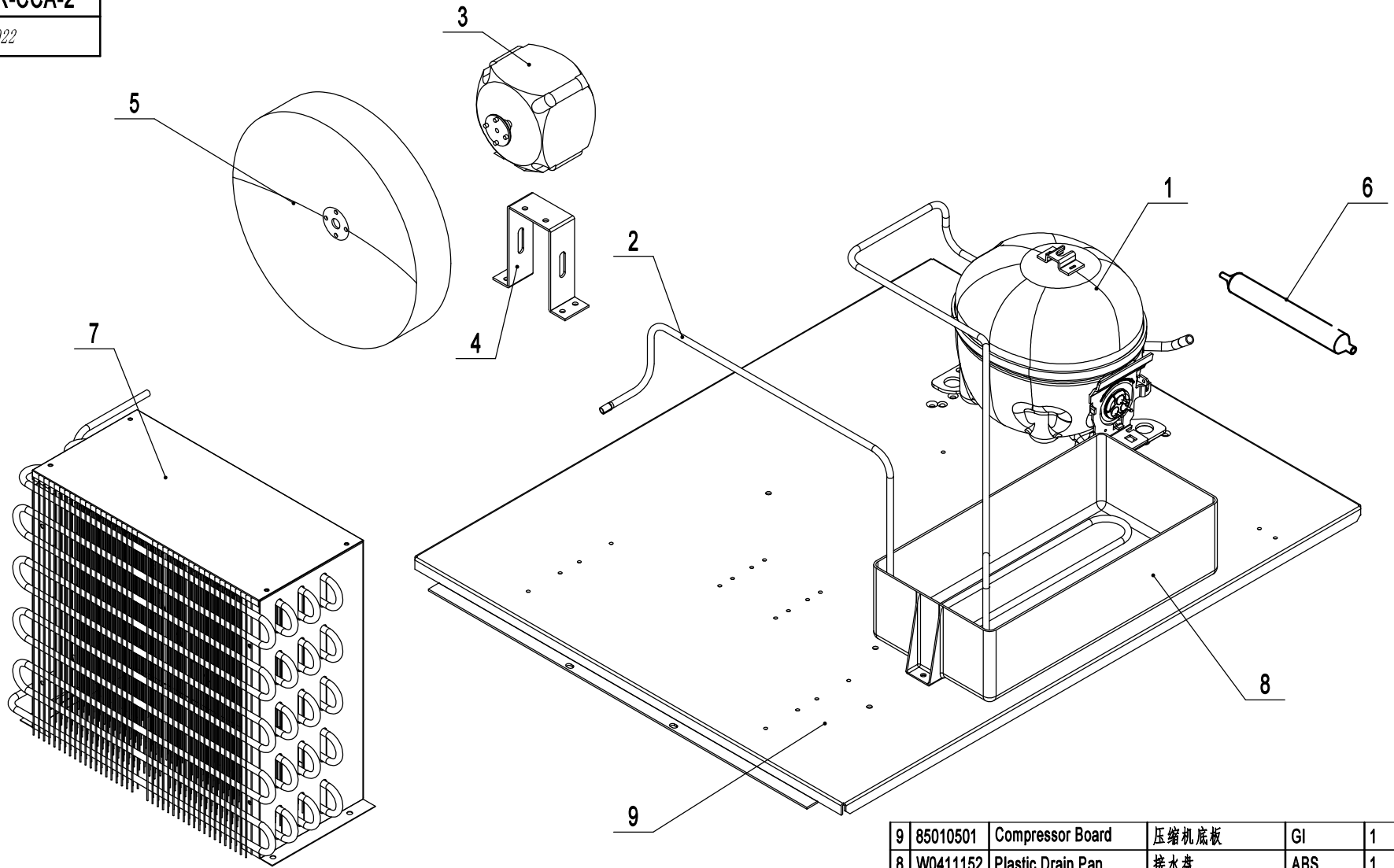
B

C

D

8705GR-CCA-2

2022



9	85010501	Compressor Board	压缩机底板	GI	1	
8	W0411152	Plastic Drain Pan	接水盘	ABS	1	
7	W0203072	Condensor	冷凝器	GI TP2-M	1	
6	W0204101	Dry Filter	干燥过滤器		1	
5	W0301061	Condenser Fan Blade	冷凝风机叶	AL/Ø230	1	
4	80061601	Condenser Fan Braket	冷凝风机支架	GI	1	D
3	W0301907	Condensor Fan	冷凝风机		1	
2	W0210536	High Presure Coil	散热管	TP2-M	1	
1	W0201067	Compressor	压缩机		1	
序号	Material code	English Name	Chinese Name	MATERIAL	QUANTITY	Remark